





# ABOUT NIGHT VISION DEVICES

Founded in 2005, Night Vision Devices (NVD) has grown to be the third largest manufacturer within the USA for Image Intensified (I<sup>2</sup>) Night Vision Products. With over 35,000 square feet of production space, NVD has the capability to provide custom solutions of any size. Most of the systems we manufacture use full MIL SPEC components and are the same versions fielded by the US Department of Defense. We are a leader in the production of night vision tactical equipment; specializing in the design, product development and large-scale production of I<sup>2</sup> systems.

Each NVD system product line has been rigorously tested prior to market entry and have been validated through extensive tactical operator use. NVD adheres to the most strenuous military testing procedures, quality assurance and production-controlled procedures in the industry. As an example, the organization maintains a Quality Management System that provides compliance in accordance with the requirements established via ISO 9001:2015 for the design, production and marketing of electro-optical systems.

Night Vision Devices provides customers with honest and reliable information, quality products and services at the best prices available. Our highly experienced sales team and well-rounded product line ensure that our customers purchase the system that will be most useful in fulfilling their requirements.

Specifications subject to change without notice. Export of the commodities described herein is strictly prohibited without a valid export license issued by the U.S. Department of State Office of Defense Trade Controls prescribed in the International Traffic in Arms Regulation (ITAR), Title 22, Code of Federal Regulations, Parts 120-130. All orders must be accompanied by our End User Statement.



NVDEVICES.COM | 610-395-9743 PHONE  
SALES@NVDEVICES.COM | 610-395-9744 FAX



## TABLE OF CONTENTS

<a href="#">2</a>	IMAGE INTENSIFIERS & CONVERSIONS
<a href="#">3</a>	GENERATIONS & WHITE PHOSPHOR
<a href="#">4</a>	CAPABILITIES
<a href="#">5</a>	BNVD-SGC BINOCULAR
<a href="#">6</a>	UL BNVD-SGC BINOCULAR
<a href="#">7</a>	BNVD-SG BINOCULAR
<a href="#">8</a>	UL BNVD-SG BINOCULAR
<a href="#">9</a>	BNVD BINOCULAR
<a href="#">10</a>	UL BNVD BINOCULAR
<a href="#">11</a>	PVS-14 MONOCULAR
<a href="#">12</a>	UL PVS-14 MONOCULAR
<a href="#">13</a>	AN/PVS-30 WEAPON SIGHT
<a href="#">14</a>	UNS-LR A2 WEAPON SIGHT
<a href="#">15</a>	UNS-A3 WEAPON SIGHT
<a href="#">16</a>	LASERS
<a href="#">17</a>	ACCESSORIES

# IMAGE INTENSIFIERS

With our expansive capabilities and strategic partnerships, we are able to custom build any of our NVD manufactured products with **Image Intensifiers** from either **Elbit Systems of America**®, **Photonis**® or **L3Harris**®. This includes green and white phosphor, thin or un-filmed, and 16mm or 18mm image tubes.



The MX10160 type is an image intensifier available in both 16mm or 18mm. It is found in the AN/AVS-6 & 9 Aviators Night Vision Imaging Systems (ANVIS), most weapon sights, and many different goggles and monocular systems.



The MX10130 type is an 18mm image intensifier. It is used in the AN/PVS-7, B, C & D binocular series of night vision goggles along with a few weapon sights.



The MX11769 type is an image intensifier available in both 16mm or 18mm. The MX11769 is the most widely used image intensifier and is used in the AN/PVS-14 night vision monocular and several weapon sights and goggles.



## FIGURE OF MERIT (FOM)

The FOM, or Figure of Merit is a number calculated by multiplying the Signal-to-noise ratio by the resolution of an image intensifier. The FOM number allows a quick estimate of the general performance level of that image intensifier. Every order will come with spec sheet for the image intensifier tube that states that tube's characteristics and its compliance with advertised specs.

## PVS-14 TO BNVD-SG CONVERSION



NVD exclusively offers the ability to convert two PVS-14 monocular systems into a single fully collimated MILSPEC BNVD-SG binocular product with Gain Control. This capability can be implemented seamlessly by NVD's Production Engineering personnel. The result provides improved ergonomics; operational performance features and a more streamlined and simplified maintenance/sustainment model.

# GENERATIONS

Generations refer to differences in performance over the years. Since its creation, night vision was developed to allow people to see better and sharper images in low light areas.

Gen I: Developed in the 1960s, Gen I systems utilized the basic principles which will amplify the existing light several thousand times letting you clearly see in the dark. These Gen I systems provide a bright image, however they are not very clear or distinguishable. Gen I lifespan 1000 hours.

Gen II: Developed in the 1970s, Gen II offered a substantial increase in performance over Gen I systems. This performance enhancement was obtained by the addition of a micro-channel plate, commonly referred to as a MCP. The MCP works as an electron amplifier and is placed directly behind the photocathode. The MCP consists of millions of short parallel glass tubes. When the electrons pass through these short tubes, thousands more electrons are released. Gen II lifespan 2000 to 4000 hours.

Gen III: Developed in the 1980s, Gen III systems offer the highest clarity and performance in extreme darkness that is currently available. Gen III systems use a gallium arsenide photocathode film to increase their performance over Gen II systems. In the last 10 years or so, Gen III systems have had upgrades such as thin films and gated power supplies (Pinnacle) incorporated into them, which have even further enhanced the performance of Gen III tubes. This makes them the highest performance image intensifiers currently available. Gen III lifespan 12,000+ hours.



Gen IV: When upgrades were made to Gen III tubes, such as gated power supplies and the use of un-filmed or thin filmed photocathode, the manufacturers sought to label these enhancements as Gen IV image intensifiers. However the Department of Defense did not see these enhancements as substantial enough improvements for the creation of a new Gen IV category. Nonetheless some companies still try to use the Gen IV moniker as a marketing ploy to charge more for the same exact Gen III image intensifiers that are already currently available at a substantially lower cost from other manufacturers.



Gen 3 traditional phosphor/P-43



Gen 3 white phosphor/P-45

## WHITE PHOSPHOR

Traditional image intensifier tubes use a P-43 phosphor screen output, resulting in the yellow-green image that has become the signature view through most Gen III night vision technology. The White Phosphor tube uses a P-45 phosphor screen, which yields an alternate coloration closer to black and white imagery. This change in color has been reported to enhance overall object recognition while providing contrast sensitivity equivalent to green phosphor.





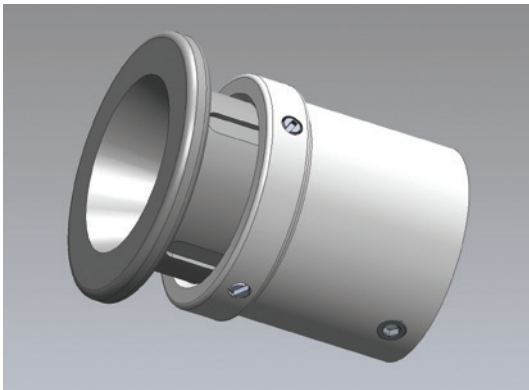
## PARTS AND REPAIRS

Night Vision Devices is one of the largest stocking distributors and manufacturers of night vision systems, image intensifiers and parts. We carry parts in stock for almost every major night vision system ever fielded by the US Military. Due to our large parts inventory we can turn most repairs around in 1-2 weeks using the same components used during original manufacture. We utilize the Hoffman ANV-126 test set for evaluation and repair of all of the night vision systems we service. Use of these test sets ensures the utmost in system performance, calibration and compliance to MIL SPECS.



## TRAINING

NVD offers training solutions for both operators and maintainers in an efficient, professional, and cost-effective manner. The NVD Team has extensive experience in creating courses and conducting training specifically tailored to the needs of a customer. NVD's instructors come from a diverse background including US Military and Law Enforcement. NVD offers training at its headquarters in Pennsylvania, other Continental United States (CONUS) locations, and internationally through the use of Mobile Training Teams. NVD does not offer courses that are open enrollment. Some courses require current military, law enforcement, or credentialed professional security status.



## ENGINEERING AND PRODUCT DEVELOPMENT

NVD's core business focus is the engineering of cutting-edge product development and the subsequent manufacturing of products which originate from such design improvements. Simple and affordable logistics support is what defines a great system along with NVD's consistent and continued observance of the manufacturing validation of those Image Intensified (I2) systems.



NEW!  
STANDARD  
WEIGHT

SINGLE  
GAIN

UNIVERSAL  
KNOB



NEW!

# BNVD-SGC

[ NIGHT VISION BINOCULAR ]

WARRANTY:	10 YEAR
GAIN CONTROL:	SINGLE KNOB
POWER SOURCE/LIFE:	(1) AA-SIZE BATTERY/25+ HRS
FOCUS RANGE:	9.8" TO INFINITY
SUBMERSIBLE:	66 FT UP TO 2 HRS
MAGNIFICATION:	ONE POWER (1X)
FIELD OF VIEW:	40°
DIOPTRER ADJUSTMENT:	-6 TO +2
INTERPUPILLARY ADJUSTMENT:	51MM TO 76MM
WEIGHT:	520 G (18.3 OZ) W/O BATTERY
DIMENSIONS:	4.3" X 4.2" X 3.3"

Standard accessories: Soft Carry Case, Demist Shields, Lightweight Sacrificial Windows, IR Spot/Flood Lens, Dovetail Mounting Adapter, Lens Tissue, (2) AA Batteries, Operator's Manual & Card, Neck Cord, Eyecups, & Retaining Lens Covers.

Optional Accessories: Battery pack for an additional an additional 85+ hours of continual use for extended missions. See more optional accessories on page 17.

The next generation **Binocular Night Vision Device – Single Gain Control**, is the culmination of improvements to the rugged and proven BNVD-SG system. Utilizing feedback from thousands of end-users, the BNVD-SGC introduces a new rotary control switch. The single switch controls system power, gain, and auxiliary functions, providing intuitive control with a substantially lower weight. The BNVD-SGC also includes an improved Diopter Adjustment Assembly with reduced backlash, tighter feel, and improved strength. The IR Spot Flood Assembly has been upgraded to provide a wider Flood setting, filling the entire field of view, as well as a more concentrated Spot setting to illuminate hallways and caves void of light. The BNVD-SGC comes standard with Lightweight Sacrificial Windows which can be threaded into the Objective Lenses to provide protection while still allowing the use of the Lens Covers. Like its predecessor, the BNVD-SGC features diopter focus from +2 to -6 diopters, a close focus of 9.8 inches (25 cm), and fully meets the latest release of MIL-STD-810H including 66-foot immersion.

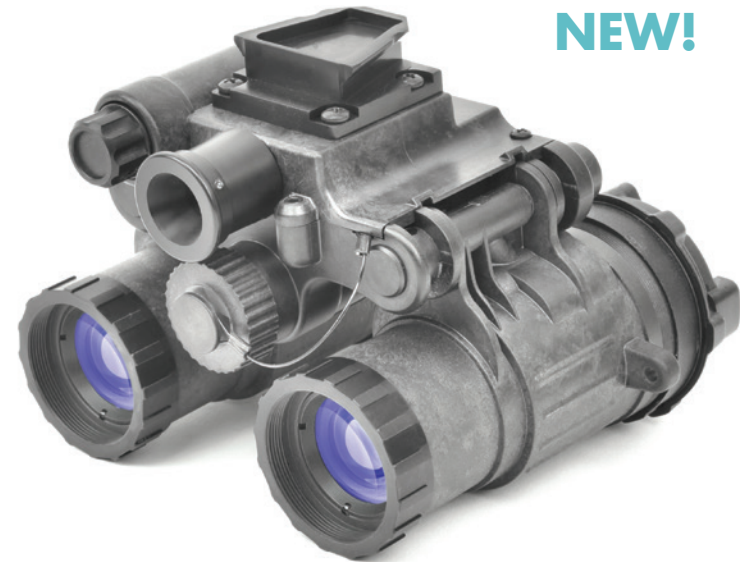


WARRANTY:	10 YEAR
GAIN CONTROL:	NONE
POWER SOURCE/LIFE:	(1) AA-SIZE BATTERY/25+ HRS
FOCUS RANGE:	9.8" TO INFINITY
SUBMERSIBLE:	66 FT UP TO 2 HRS
MAGNIFICATION:	ONE POWER (1X)
FIELD OF VIEW:	40°
DIOPTR ADJUSTMENT:	-6 TO +2
INTERPUPILLARY ADJUSTMENT:	51MM TO 76MM
WEIGHT:	440 G (15.5 OZ) W/O BATTERY
DIMENSIONS:	4.3" X 4.2" X 3.3"

Standard accessories: Soft Carry Case, Demist Shields, Lightweight Sacrificial Windows, IR Spot/Flood Lens, Dovetail Mounting Adapter, Lens Tissue, (2) AA Batteries, Operator's Manual & Card, Neck Cord, Eyecups, & Retaining Lens Covers.

Optional Accessories: Battery pack for an additional 85+ hours of continual use for extended missions. See more optional accessories on page 17.

**NEW!**



**NEW!**  
LIGHT  
WEIGHT

SINGLE  
GAIN

UNIVERSAL  
KNOB

# UL BNVD-SGC

[ NIGHT VISION BINOCULAR ]



At 440 grams, the **New Ultra-Light Binocular Night Vision Device – Single Gain Control** integrates improved lightweight hybrid polymer/glass optics, optimized for both green (P43) and white (P45) phosphor image tubes. The improved optics reduce glare from distant bright light sources as well as increase contrast, significantly improving the viewed image. Overall, this offers higher performance than standard glass optics. Despite its Ultra Light weight, the UL BNVD-SGC has enhanced nearly every feature. This includes an improved Diopter Adjustment, a new rotary control switch, and a wider range Spot/Flood setting, providing the end-user with a more intuitive and dependable system. The UL BNVD-SGC is available with an optional battery pack, which holds 3 “AA” batteries for an additional 85+ hours of run time. The UL BNVD-SGC fully meets the latest release of MIL-STD-810H including 66-foot immersion while remaining lighter and more rugged than ever.





STANDARD WEIGHT

SINGLE GAIN

STANDARD KNOBS



# BNVD-SG

[ NIGHT VISION BINOCULAR ]

WARRANTY:	10 YEAR
GAIN CONTROL:	SINGLE KNOB
POWER SOURCE/LIFE:	(1) AA-SIZE BATTERY/25+ HRS
FOCUS RANGE:	9.8" TO INFINITY
SUBMERSIBLE:	66 FT UP TO 2 HRS
MAGNIFICATION:	ONE POWER (1X)
FIELD OF VIEW:	40°
DIOPTRER ADJUSTMENT:	-6 TO +2
INTERPUPILLARY ADJUSTMENT:	51MM TO 76MM
WEIGHT:	540 G (19 OZ) W/O BATTERY
DIMENSIONS:	4.3" X 4.2" X 3.3"

Standard accessories: Soft Carry Case, Demist Shields, Lightweight Sacrificial Windows, IR Spot/Flood Lens, Dovetail Mounting Adapter, Lens Tissue, (2) AA Batteries, Operator's Manual & Card, Neck Cord, Eyecups, & Retaining Lens Covers.

Optional Accessories: Battery pack for an additional an additional 85+ hours of continual use for extended missions. See more optional accessories on page 17.

With a total system weight of 540 grams, the **BNVD-SG is a Dual Tube Goggle** that provides a single-gain component for image intensified brightness control. Depending on the amount of ambient light the system is operationally being used, the user can lower the tube brightness (gain) to compensate for overly bright conditions or increase the gain under extreme low-light environments. The BNVD-SG is one of NVD's most economical manufactured binocular systems in that it incorporates 90% of the same components utilized in the AN/PVS-14 monocular system. The BNVD-SG can additionally be utilized as a monocular by selecting which side you want to use as your night vision eye and then simply rotating the other not-in-use binocular arm out of line of sight. This enhanced capability allows the user to rotate either monocular channel away from their eye while leaving the other monocular channel in place. NVD can customize builds with Image Intensifiers from either Elbit Systems of America®, Photonis® or L3Harris®. NVD can additionally deliver many system applicable accessories for end-user kit customization to meet every low-light requirement for ground mission applications.





WARRANTY:	10 YEAR
GAIN CONTROL:	SINGLE KNOB
POWER SOURCE/LIFE:	(1) AA-SIZE BATTERY/25+ HRS
FOCUS RANGE:	9.8" TO INFINITY
SUBMERSIBLE:	66 FT UP TO 2 HRS
MAGNIFICATION:	ONE POWER (1X)
FIELD OF VIEW:	40°
DIOPTR ADJUSTMENT:	-6 TO +2
INTERPUPILLARY ADJUSTMENT:	51MM TO 76MM
WEIGHT:	465 G (16.4 OZ) W/O BATTERY
DIMENSIONS:	4.3" X 4.2" X 3.3"

Standard accessories: Soft Carry Case, Demist Shields, Lightweight Sacrificial Windows, IR Spot/Flood Lens, Dovetail Mounting Adapter, Lens Tissue, (2) AA Batteries, Operator's Manual & Card, Neck Cord, Eyecups, & Retaining Lens Covers.

Optional Accessories: Battery pack for an additional 85+ hours of continual use for extended missions. See more optional accessories on page 17.



## UL BNVD-SG

[ NIGHT VISION BINOCULAR ]

®

GSA



LIGHT WEIGHT

SINGLE GAIN

STANDARD KNOBS



With a total system weight of 465 Grams, the **UL BNVD-SG, Ultra-Light Dual Tube Goggle with Single Gain Control** incorporates new hybrid polymer/glass optics that are not only extremely light-weight, but they also offer higher performance than standard glass-only optics. Most other night vision systems in the industry today utilize optics designed only for green (P43) phosphor image tubes; whereas, the UL BNVD-SG's optics were designed with visible optimization for both White (P45) and Green (P43) image tubes. The UL BNVD-SG can be used with optional 3X Afocal magnifiers which transforms the system into a fixed 3X magnified binocular. The 3X magnifier(s) can either slide onto each objective lens or can manually be screwed directly into the threading of the objective lenses. NVD can customize builds for the UL BNVD-SG with Image Intensifiers from either Elbit Systems of America®, Photonis® or L3Harris®. Like all NVD goggles, this system features a complete diopter focus of +2 to -6, and IR LED and a close focus of 9.8 inches (25 cm) and a 66 foot submersion capability.



STANDARD WEIGHT

NO GAIN

STANDARD KNOB



# BNVD

## [ NIGHT VISION BINOCULAR ]

With a total system weight of 525 grams, the **BNVD Binocular is a Dual Tube Night Vision Goggle** that provides enhanced depth perception and supportability at the most economical price point. The BNVD features a "Tactical Monocular Cutoff", which turns off power to each channel of the binocular whenever a channel is rotated up out of the users' line of sight. This eliminates stray light emitting from the monocular eyepiece, which would reveal the user to anyone else on the battlefield. The BNVD has an automatic system power cutoff whenever the BNVD is flipped up into the helmet mounted stow position, and then powers back on when it is flipped back down. NVD can customize builds for the BNVD with Image Intensifiers from either Elbit Systems of America®, Photonis® or L3Harris®. NVD can additionally deliver many system applicable accessories for end-user kit customization to meet every low-light requirement for ground mission applications. Like all NVD goggles, this system features a complete diopter focus of +2 to -6, and IR LED and a close focus of 9.8 inches (25 cm) and a 66 foot submersion capability.

WARRANTY:	10 YEAR
GAIN CONTROL:	NONE
POWER SOURCE/LIFE:	(1) AA-SIZE BATTERY/25+ HRS
FOCUS RANGE:	9.8" TO INFINITY
SUBMERSIBLE:	66 FT UP TO 2 HRS
MAGNIFICATION:	ONE POWER (1X)
FIELD OF VIEW:	40°
DIOPTR ADJUSTMENT:	-6 TO +2
INTERPUPILLARY ADJUSTMENT:	51MM TO 76MM
WEIGHT:	525 G (18.5 OZ) W/O BATTERY
DIMENSIONS:	4.3" X 4.2" X 3.3"

Standard accessories: Soft Carry Case, Demist Shields, Lightweight Sacrificial Windows, IR Spot/Flood Lens, Dovetail Mounting Adapter, Lens Tissue, (2) AA Batteries, Operator's Manual & Card, Neck Cord, Eyecups, & Retaining Lens Covers.

Optional Accessories: Battery pack for an additional 85+ hours of continual use for extended missions. See more optional accessories on page 17.





WARRANTY:	10 YEAR
GAIN CONTROL:	NONE
POWER SOURCE/LIFE:	(1) AA-SIZE BATTERY/25+ HRS
FOCUS RANGE:	9.8" TO INFINITY
SUBMERSIBLE:	66 FT UP TO 2 HRS
MAGNIFICATION:	ONE POWER (1X)
FIELD OF VIEW:	40°
DIOPTER ADJUSTMENT:	-6 TO +2
INTERPUPILLARY ADJUSTMENT:	51MM TO 76MM
WEIGHT:	450 G (15.9 OZ) W/O BATTERY
DIMENSIONS:	4.3" X 4.2" X 3.3"



LIGHT WEIGHT

NO GAIN

STANDARD KNOB

# UL BNVD

[ NIGHT VISION BINOCULAR ]

Standard accessories: Soft Carry Case, Demist Shields, Lightweight Sacrificial Windows, IR Spot/Flood Lens, Dovetail Mounting Adapter, Lens Tissue, (2) AA Batteries, Operator's Manual & Card, Neck Cord, Eyecups, & Retaining Lens Covers.

Optional Accessories: Battery pack for an additional 85+ hours of continual use for extended missions. See more optional accessories on page 17.



With a total system weight of 450 grams, the **UL BNVD, Ultra-Light Dual Tube Goggle** provides fully MILSPEC functionality at an economical price-point by utilizing >80% of the same piece-part components used in manufacturing the AN/PVS-14 monocular system. The UL BNVD incorporates high performance optics that are not only much lighter, but also offer higher performance than standard optics. The UL BNVD additionally provides an automatic system power cutoff whenever the system is flipped-up onto the helmet in its mounted stow position; the system then powers back on when flipped back down to the user's eyes. This feature can be disabled off via a four position ON/OFF switch for operational maneuvers that require the system to be continuously ON. The UL BNVD is submersion qualified to 66 feet (20 meters) for 3 hours. The UL BNVD is available with an optional battery pack, which holds 3 "AA" Alkaline batteries for run times exceeding 50 hours of continuous operation. NVDC can customize builds for our UL BNVD system with image intensifiers from either Elbit Systems of America®, Photonis® or L3Harris®.



STANDARD WEIGHT

GAIN CONTROL

STANDARD KNOBS



# PVS-14

[ NIGHT VISION MONOCULAR ]

WARRANTY:	10 YEAR
EYE RELIEF:	25MM
POWER SOURCE/LIFE:	(1) AA-SIZE BATTERY/50+ HRS
FOCUS RANGE:	9.8" TO INFINITY
MAGNIFICATION:	ONE POWER (1X)
OBJECTIVE LENS:	27MM, F/1.2
MAGNIFICATION:	ONE POWER (1X)
FIELD OF VIEW:	40°
DIOPTER ADJUSTMENT:	-6 TO +2
WEIGHT:	309 G (10.9 OZ) W/O BATTERY
DIMENSIONS:	4.5" X 2.5" X 2.75"

Standard accessories: Soft Carry Case, (2) AA Batteries, Demist Shield, Sacrificial Filter for Objective Lens, Head/Helmet Mount Adapter (J-arm), Head-mount Assembly with 3 Brow Pads, Lens Tissue, Neck Cord, Eye-Cup, and Front Lens Cap. See optional accessories on page 17.

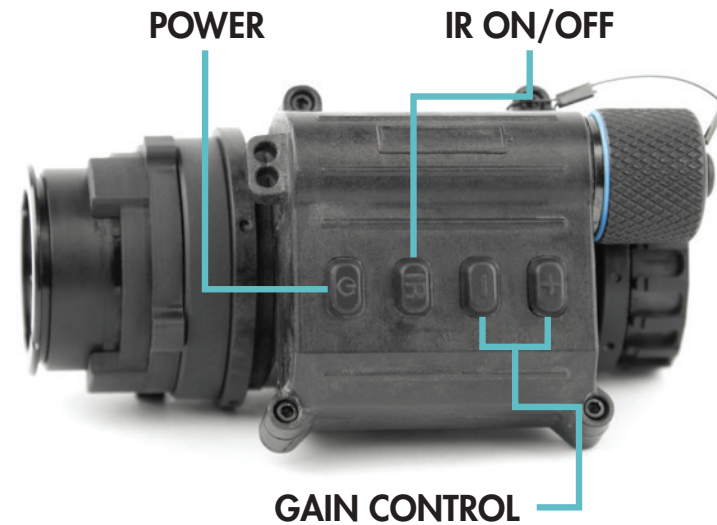
At 309 Grams, the **NVD-PVS-14 Night Vision Monocular** is the all around best multi functional night vision monocular available. Head or helmet mounted, the PVS-14 allows the user to retain their night adapted vision in one eye while viewing their surroundings through the illuminated eyepiece of the PVS-14. Another strength is its ability to be weapon mounted behind most collimated daylight aimers and Reflex sights such as the ACOG, Aimpoint and EOTech systems. This allows the user the ability to use their PVS-14 both as a night vision monocular for increased mobility and tactical awareness and as a short range weapon sight. NVD can customize builds for the PVS-14 with Image Intensifiers from either Elbit Systems of America®, Photonis® or L3Harris®. NVD can additionally deliver many system applicable accessories for end-user kit customization to meet every low-light requirement for ground mission applications.





WARRANTY:	10 YEAR
EYE RELIEF:	25MM
POWER SOURCE/LIFE:	(1) AA-SIZE BATTERY/50+ HRS
FOCUS RANGE:	9.8" TO INFINITY
OBJECTIVE LENS:	27MM, F/1.2
MAGNIFICATION:	ONE POWER (1X)
FIELD OF VIEW:	40°
DIOPTRER ADJUSTMENT:	-6 TO +2
WEIGHT:	237 G (8.4 OZ) W/O BATTERY
DIMENSIONS:	4.5" X 2.5" X 2.75"

Standard accessories: Soft Carry Case, (2) AA Batteries, Demist Shield, Sacrificial Filter for Objective Lens, Head/Helmet Mount Adapter (J-arm), Head-mount Assembly with 3 Brow Pads, Lens Tissue, Neck Cord, Eye-Cup, and Front Lens Cap. See optional accessories on page 17.



LIGHT WEIGHT

GAIN CONTROL

PUSH BUTTONS

# UL PVS-14

[NIGHT VISION MONOCULAR]



At 237 Grams, the **Ultra-Light PVS-14 (UL PVS-14) Night Vision Monocular** utilizes new light weight optics and a revised battery housing which uses digital push button switches instead of the heavy analog switches. The new push button switches offer the same features of the standard PVS-14: one button for power on/off, one button for turning on and off the IR LED, and two switches (+/-) for raising and lowering the Gain Control. The new light weight UL PVS-14 optics are optimized for White Phosphor (P-45) image intensifiers, which result in an overall better image with white phosphor tubes than standard optics. NVD can customize builds for the UL PVS-14 with Image Intensifiers from either Elbit Systems of America®, Photonis® or L3Harris®. NVD can additionally deliver many system applicable accessories for end-user kit customization to meet every low-light requirement for ground mission applications.



# AN/PVS-30

[ NIGHT VISION WEAPON SIGHT ]

MODEL:	AN/PVS-30	UNS-LR A3 (LW-PVS-30)
WEIGHT:	2.9 LBS. (1.32KG)	2.1 LBS. (0.95 KG)
DIMENSIONS:	9.58" L, 3.5" H 1.5" TO OPTICAL CENTERLINE	9.44" L, 3.28" H 1.5" TO OPTICAL CENTERLINE
BORESIGHT:	WITHIN .5 MOA	
BATTERY TYPE/LIFE:	(1) AA BATTERY (>24 HRS), OR (1) 123 BATTERY (>36 HRS)	
FOCUS RANGE:	20 M TO INFINITY	
MAGNIFICATION:	1X (UNITY)	
FIELD OF VIEW:	9°	
RECOGNITION RANGE:	>1000 M (HUMAN, 1/4 MOON), >1500 M (VEHICLE, 1/4 MOON)	
WATERPROOF:	3 FT FOR 4 HRS	
WARRANTY:	1 YEAR	

Standard accessories: Operator's Manual, Soft Case, (2) AA Batteries, Light Shroud and Lens Cleaning Kit.

The Knight Vision® MIL Spec AN/PVS-30 Clip-on Weapon Sight, adds the latest high performance Gen 3 light intensification night vision to most rifles and day scopes. The AN/PVS-30 is optimized and tested for medium and long-range sniper weapons including .50 caliber rifles and daysights with magnification up to 20x. The Knight Vision® patented technology makes the AN/PVS-30 universal and assures the accuracy of your range-tested day scope boresight will not be degraded. When the AN/PVS-30 is added in front of your dayscope, your existing optic, eye relief, and cheek weld are undisturbed. The refractive lens provides high performance light collection in a light weight design. The AN/PVS-30 comes in a light weight variant, the UNS-LR A3, designed to shed weight without sacrificing capability.





WARRANTY:	1 YEAR
BORESIGHT:	WITHIN .5 MOA
POWER SOURCE:	(1) AA-SIZE OR (1) 123 BATTERY
BATTERY LIFE:	AA EXCEEDS 24 HRS, 123 EXCEEDS 36 HRS
FOCUS RANGE:	20 M TO INFINITY
FIELD OF VIEW:	9°
MAGNIFICATION:	UNITY
RECOGNITION RANGE:	1000 M (HUMAN, 1/4 MOON)
WATERPROOF:	3 FT FOR 4 HRS
WEIGHT:	1.31 KG (2.9 LBS.)
DIMENSIONS:	9.6" (244MM) LONG



# UNS-LR A2

[ NIGHT VISION WEAPON SIGHT ]

Standard accessories: Operator's Manual, Soft Case, (1) AA Battery, Light Shroud and Lens Cleaning Kit.



The **Knight Vision® UNS-LR A2 Clip-On Weapon Sight** is a product improved version of the AN/PVS-30. The UNS-LR A2 adds the latest high performance Gen 3 light intensification night vision to most rifles and day scopes by attaching to the picatinny rail. This product is appropriate for front line long range rifles. When the UNS-LR A2 is added in front, your existing optic, eye relief, and cheek weld are undisturbed. The refractive lens provides high performance light collection in a light weight design. Knight Vision patented Single Interchangeable Battery (SIB)® allows use of either CR123 or AA single cells, with a battery life exceeding 24 hours while the shooter remains in shooting position.



# UNS-A3

[ NIGHT VISION WEAPON SIGHT ]

The **Knight Vision® UNS-A3 Night Vision Clip-on Weapon Sight** adds night vision capability to existing magnified day scopes and is optimized for use with the Trijicon ACOG or any short to medium length rifle scope with a 2X to 12X+ magnification range. The UNS-A3 utilizes a Minimum FOM 1800 P-45 White Phosphor High Performance GEN 3 image intensifier tube in a proven design lightweight portable design, which is ideal for M4 AR platforms with full rails which also have a front sight. The Knights UNS-A3's patented technology assures the accuracy of your range-tested day scope will not be degraded. The UNS-A3 also features a patented Single Interchangeable Battery (SIB)® which allows the use of either a CR-123 or a single AA battery. The UNS-A3 is designed for weapons such as the M4, M16, SR25 and similarly configured rifles. The system comes with a black matte, corrosion resistant finish (alternate finishes available).

WARRANTY:	1 YEAR
BORESIGHT:	WITHIN .5 MOA
POWER SOURCE/BATTERY LIFE:	(1) AA (24+ HRS) OR 123 (24+ HRS) BATTERY
FIELD OF VIEW:	9°
FOCUS RANGE:	20 METERS TO INFINITY
MAGNIFICATION:	1X (UNITY)
LENS DESIGN:	62MM REFRACTIVE TELEPHOTO LENS
RECOGNITION RANGE:	>700 M (HUMAN, 1/4 MOON) >1000 M (VEHICLE, 1/4 MOON)
WATERPROOF:	3 FT FOR 4 HRS, 66 FT OPTIONAL
WEIGHT:	1.75 LBS. (0.79 KG)
DIMENSIONS:	7.4"L, 3.4"H, 1.5" TO OPTICAL CENTERLINE

Standard accessories: Operator's Manual, Soft Case, (1) AA Battery, Light Shroud and Lens Cleaning Kit.



# LASERS

We offer many different laser options for both Civilian and LE applications. Reach out to one of our specialists at [sales@nvdevices.com](mailto:sales@nvdevices.com) and we will help you find a solution that fits your needs.

## STEINER

CIVILIAN AND LE/MIL ONLY MODELS AVAILABLE



DBAL-A3



DBAL-D2



OTAL-C IR

## WILCOX

CIVILIAN AND LE/MIL ONLY MODELS AVAILABLE



RAID XE

## L3HARRIS

CIVILIAN AND LE/MIL ONLY MODELS AVAILABLE



PEQ-15C



AN/PEQ-15



MAWL-C1+



MAWL-DA

## B.E. MEYERS

CIVILIAN AND LE/MIL ONLY MODELS AVAILABLE



MAWL-C1+



MAWL-DA



# ACCESSORIES

Based on your application, these accessories will greatly enhance your night vision capabilities and help you get the most out of your equipment. For example: use a shuttered eyeguard for covert operations, attach a camera adapter to capture images/video, extend your visible range with a magnifier, or utilize a helmet mount for hands-free operation. If you have specific questions about which **night vision accessory** will best suit your activity, feel free to contact us and one of our knowledgeable specialists will help you find what you need. We have many accessories available for end-user kit customization to meet every low-light requirement for ground mission applications.



**BALLISTIC HELMET**  
HARD HEADED VETERANS



**BUMP HELMET**  
HARD HEADED VETERANS



**WILCOX L4 G11  
HELMET MOUNT**  
28300G11-B (PN)  
5855-01-610-8704



**WILCOX L4 G22  
HELMET MOUNT**  
28300G22-T (PN)  
5855-01-593-6332



**WILCOX L4 G24  
HELMET MOUNT**  
28300G24-B (PN)  
5855-01-593-6422



**NOROTOS RHNO  
HELMET MOUNT**  
A3256369 (PN)



**NOROTOS RHNO II  
HELMET MOUNT**  
1955010BLK-H (PN)



**NOROTOS LOSTO MOUNT**  
1960010BLK-5 (PN)



**BATTERY PACK**  
450175 (PN)



**LIGHTWEIGHT  
SACRIFICIAL WINDOW**  
450368 (PN)



**CAMERA ADAPTER  
(46MM)**  
274049-1 (PN)  
4310-01-096-1353



**3X & 5X  
AFOCAL MAGNIFIERS**  
A3256391 (PN 3X)  
275095 (PN 5X)



**WILCOX DOVETAIL  
J-ARM**  
26300G01 (PN)



**WEAVER WEAPON  
MOUNT**  
A3256348 (PN)  
5340-01-446-8588





Schedule  
Contract GS-07F-0022V

[NVDEVICES.COM](http://NVDEVICES.COM)

[SALES@NVDEVICES.COM](mailto:SALES@NVDEVICES.COM)

610-395-9743

© 2024 NIGHT VISION DEVICES, INC. ALL RIGHTS RESERVED